

WW: 周 YY: 年份
白底黑字, 合成紙, Arial 10號字體

PIN OUT

| STRIP&TINNED | 7P HOUSING |
|---------------|------------|
| P1 | P2 |
| RED(20AWG) | 1 |
| BLACK(20AWG) | 2 |
| GREEN(22AWG) | 3 |
| GRAY(22AWG) | 4 |
| BROWN(22AWG) | 5 |
| BLUE(22AWG) | 6 |
| ORANGE(22AWG) | 7 |

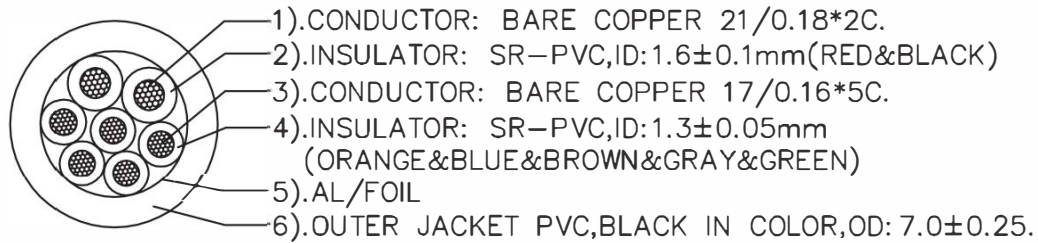
LABEL

REFERENCE TABLE:

| CP P/N | MODEL | Customer P/N | L±T | W±T |
|-----------------|--------------------|--------------|---------|---------|
| 1W0-0000165-00G | CBL7PIN350-005-BLK | 315-00999 | 1525±30 | 120~130 |
| 1W0-0000166-00G | CBL7PIN350-010-BLK | 315-01002 | 3050±50 | 140~150 |

| | | | | |
|-----|-------------------------|---|------|-----------------------|
| 7 | MINI TIE | PE/BLACK IN COLOR | 2 | |
| 6 | LABEL | WHITE BACKGROUND AND BLACK TEXT | 1 | |
| 5 | CABLE SPEC | CABLE SPEC DETAIL SEE CHART A | 1 | |
| 4 | 7P HOUSING/M-OUTER MOLD | MOLDING PVC/BLACK IN COLOR | 1 | |
| 3 | 7P HOUSING/M-INNER MOLD | MOLDING PE/NATURAL IN COLOR | 1 | |
| 2 | 7P HOUSING/M-INSULATOR | PBT/GREEN UL94V-0 (PN/MC420-350-07Z) | 1 | |
| 1 | 7P HOUSING/M-CONTACT | PHOSPHOR BRONZE/TIN PLATED; SOLDER TYPE | 7 | DECA MC420-350-07Z |
| NO. | PARTS NAME | STANDARD SPECIFICATION | Q'TY | SUPPLIER |

MATERIAL LIST

CHART A

NOTES:

1.CABLE SPECIFICATION: UL2464 20AWG*2C+22AWG*5C.
 [21/0.18BC*2C+17/0.16BC*5C+AL/FOIL]*1C.

OUTER JACKET PVC,BLACK IN COLOR,OD: 7.0±0.25.

PRINT WORD: "E313087 AWM STYLE 2464 80°C 300V VW-1 CYBERPOWER".

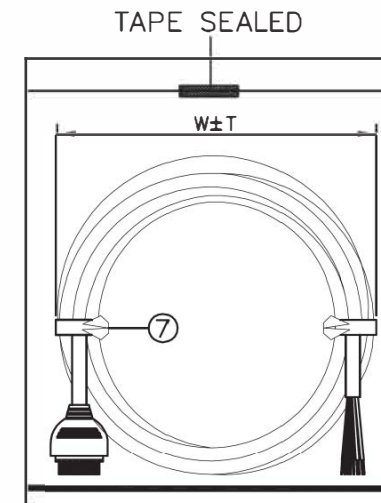
2.ELECTRICAL TEST

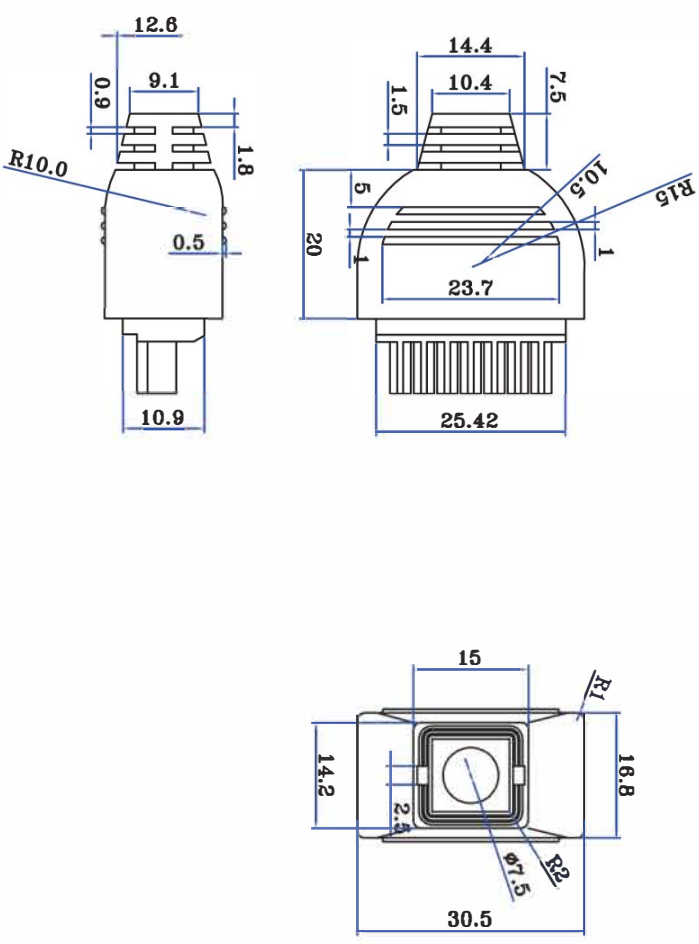
<1>.100% OPEN SHORT & MISS WIRE TEST

<2>.INSULATION RESISTANCE: DC 400V 50M ohm MIN

<3>.CONDUCTOR RESISTANCE: 3 ohm MAX

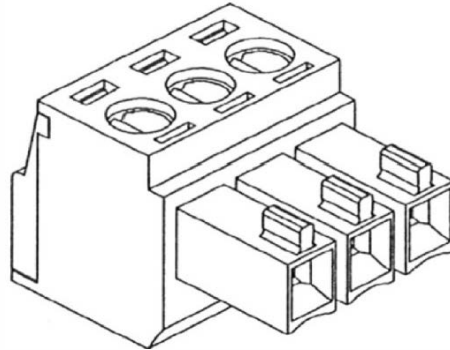
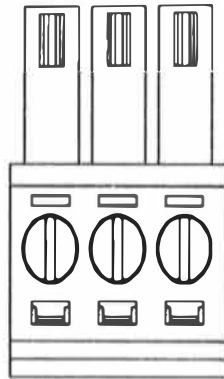
3.PACKING:1PC/PE BAG+WHITE CARTON.

HANK CHART



TOLERANCE:
X ±0.5
.X ±0.3
.XX ±0.05

Type No. : MC420-350
 Order No. : MC420-350xxZ

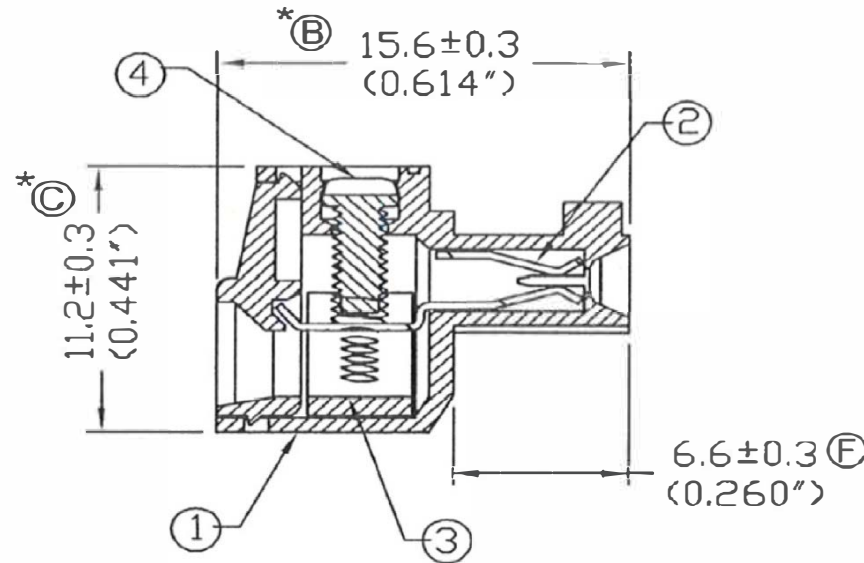
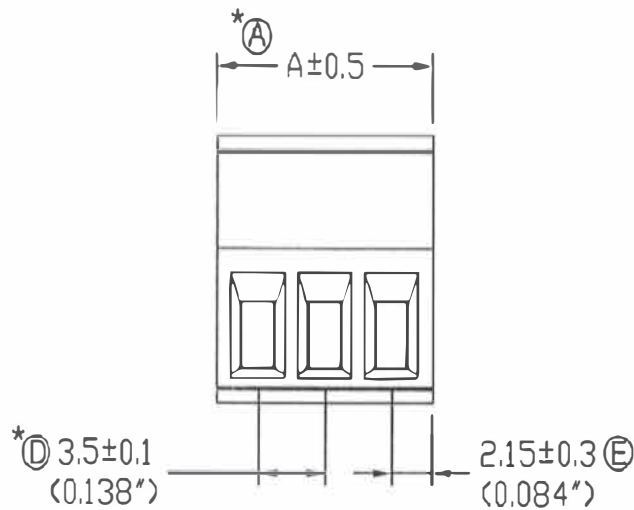


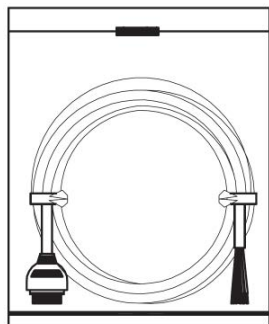
Pitch : 3.50mm (0.138inch)

| Poles | A(mm) | A(inch) | Poles | A(mm) | A(inch) |
|-------|-------|---------|-------|-------|---------|
| 2 | 7.80 | 0.307 | 15 | 53.30 | 2.098 |
| 3 | 11.30 | 0.445 | 16 | 56.80 | 2.236 |
| 4 | 14.80 | 0.583 | 17 | 60.30 | 2.374 |
| 5 | 18.30 | 0.720 | 18 | 63.80 | 2.512 |
| 6 | 21.80 | 0.858 | 19 | 67.30 | 2.650 |
| 7 | 25.30 | 0.996 | 20 | 70.80 | 2.787 |
| 8 | 28.80 | 1.134 | 21 | | |
| 9 | 32.30 | 1.272 | 22 | | |
| 10 | 35.80 | 1.409 | 23 | | |
| 11 | 39.30 | 1.547 | 24 | | |
| 12 | 42.80 | 1.685 | 25 | | |
| 13 | 46.30 | 1.823 | 26 | | |
| 14 | 49.80 | 1.961 | 27 | | |

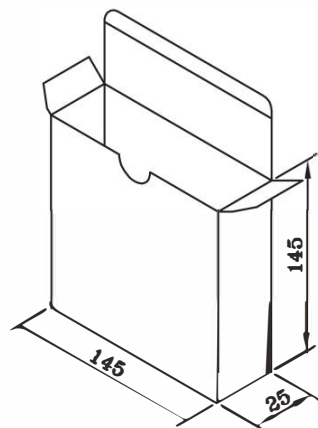
Current rating : 10Amp AC300V
 Insulation withstands volt : AC2000V min
 Insulation resistance : >2000MΩ DC500V
 Operation temperature : -40°C to +105°C
 Wire strip length : 6.5mm
 Wire range : 16~26 AWG
 Screw torque : 2.5 lb-inch

| | Material | Plating/Finish | Remark |
|---|-----------------|----------------------|-------------|
| 1 | Insulation body | Polamide 66(UL94V-0) | Green |
| 2 | Contact | Phosphor bronze | Tin plated |
| 3 | Cage clamp | Brass | Ni plated |
| 4 | Screw | Steel | Zinc plated |

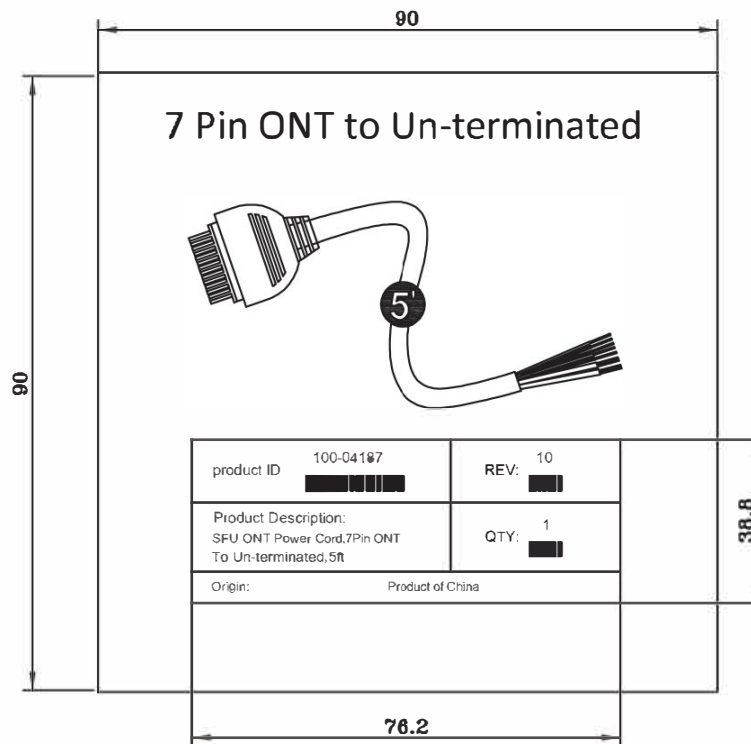
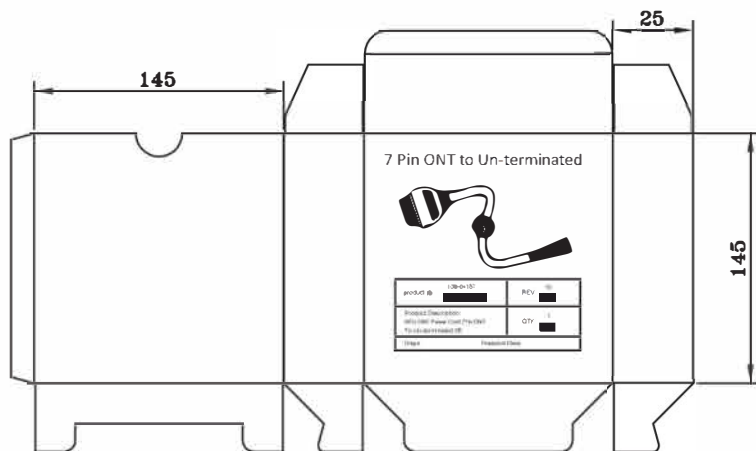




1PC EACH PE BAG

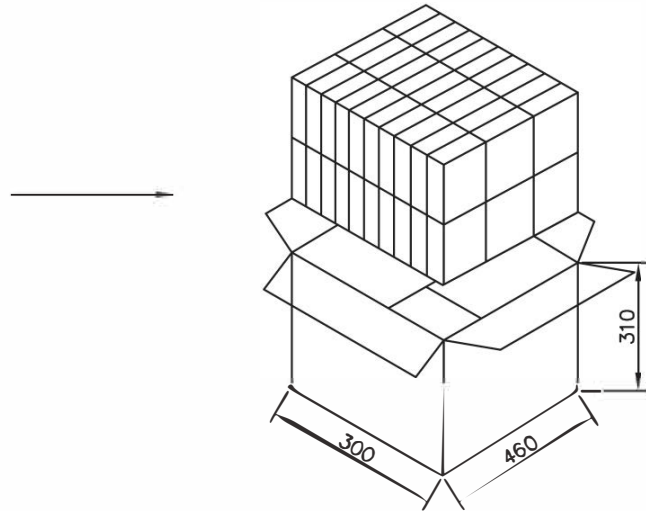
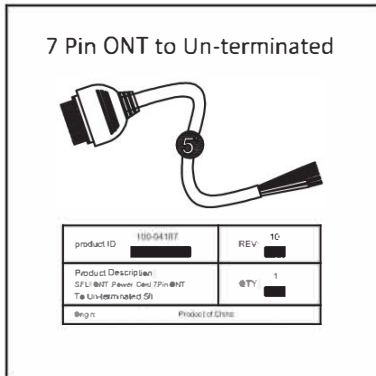


1PCS PER BOX+PE BAG
CARTON: WHITE IN COLOR

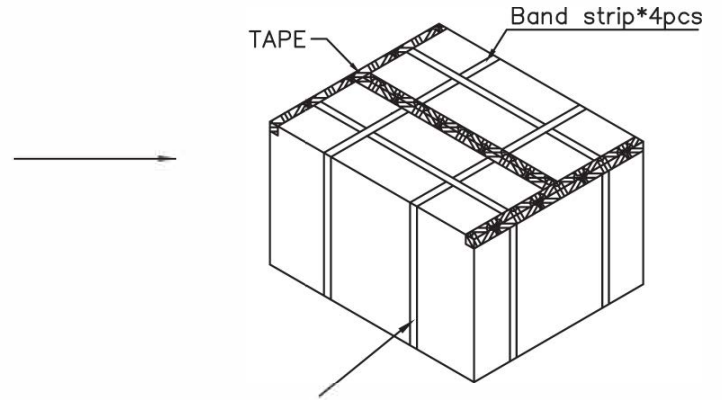


字體：Arial，10pt。

INNER BOX SHIPPING MARK:
(BACK SIDE/BLACK PRINT WORD)

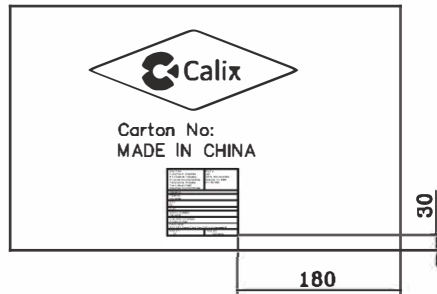


60PCS BOX PER OUTER CARTON

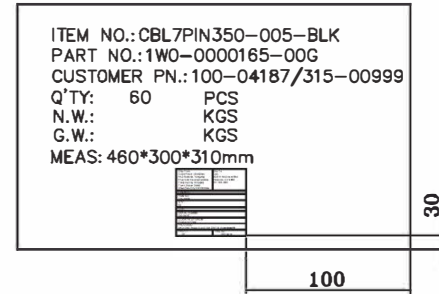


CARTON: YELLOW IN COLOR

CARTON SHIPPING MARK:
(BOTH SIDE)



CARTON SIDE MARK:
(BOTH SIDE)



麥頭LOGO灰色使用：Pantone423C

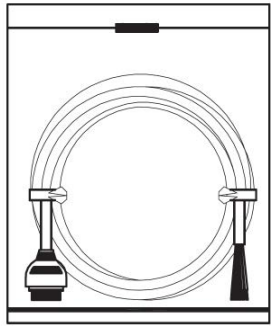
| | |
|---|---|
| 100mm | |
| Ship From: CyberPower (ShenZhen) No.2 Budside, Yangyong Riverside Development Area, Tangxiayong, Songgang Town, Baoan District ShenZhen City,518105 China | Ship To: Calix 1035 N. McDowell Blvd. Petaluma, CA 94954 877-766-3500 |
| TRANS ID: | |
| ITEM NO: 315-00999 | |
| QTY: 60 | |
| CLEI: | |
| SERIAL NUMBER: 100-04187 | |
| COUNTRY OF ORIGIN: Product of China | |
| PROD DESC: SFU ONT Power Cord. 7pin ONT to Un-terminated. 5ft | |
| PKG CT: OF | PKG WT: LBS aprox. |
| 105mm | |

白底黑字，合成紙，Arial 10號字體

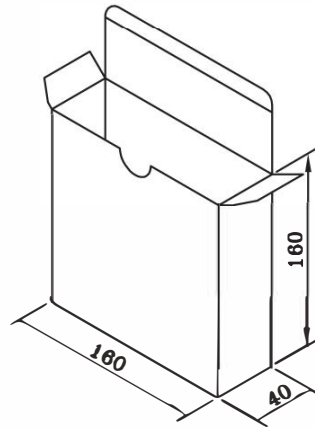
LABEL

*.CARTON SIZE: L450*W420*H310mm, MATERIAL: K=K YELLOW IN COLOR

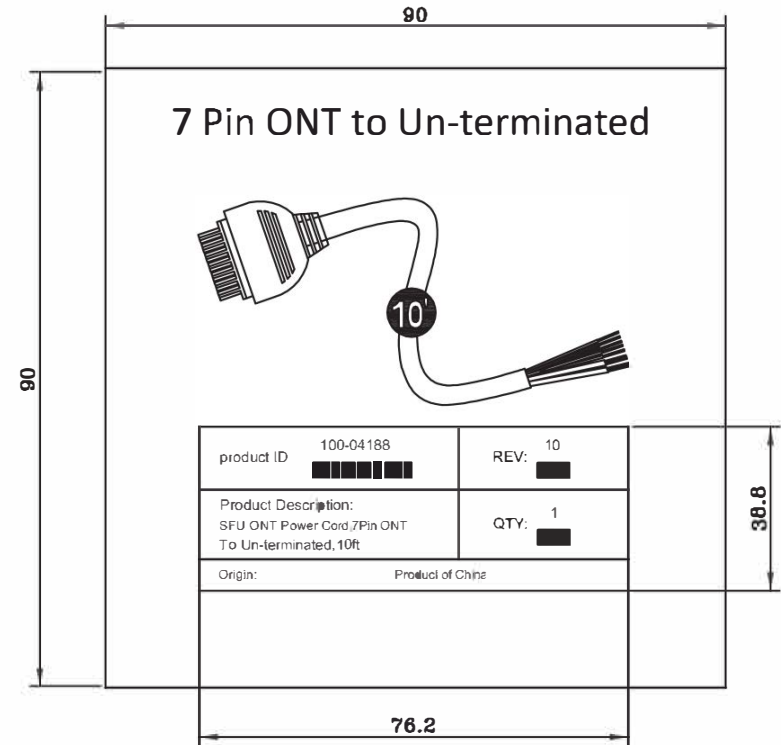
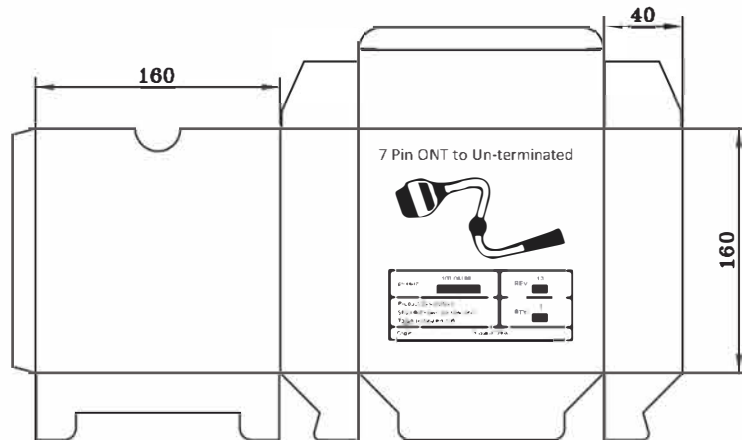
CyberPower®



1PC EACH PE BAG

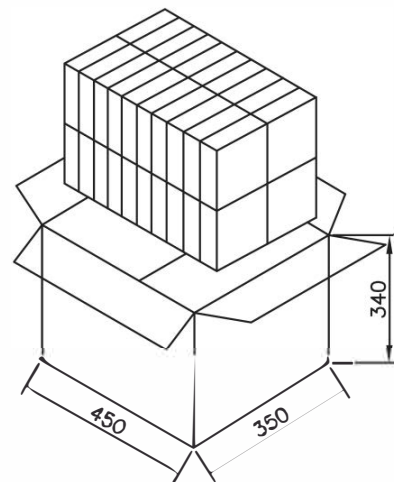
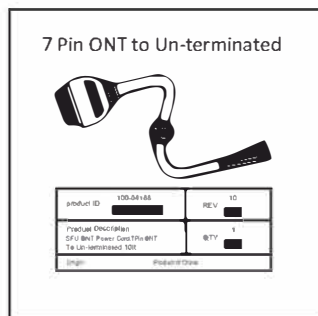


1PCS PER BOX+PE BAG
CARTON: WHITE IN COLOR

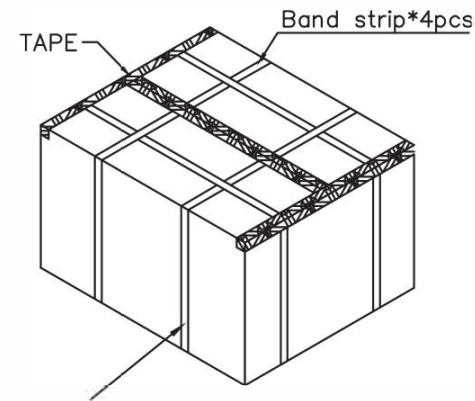


字體：Arial · 10pt ·

INNER BOX SHIPPING MARK:
(BACK SIDE/BLACK PRINT WORD)

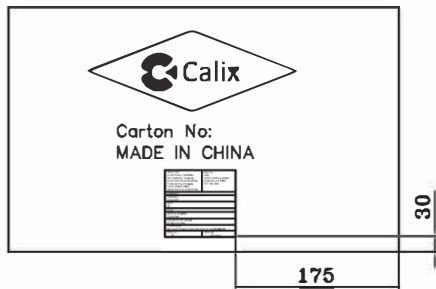


40PCS BOX PER OUTER CARTON



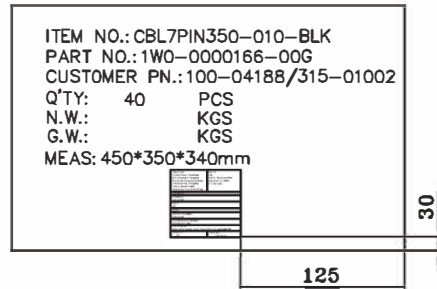
CARTON: YELLOW IN COLOR

CARTON SHIPPING MARK:
(BOTH SIDE)



麥頭LOGO灰色使用：Pantone423C

CARTON SIDE MARK:
(BOTH SIDE)



| | |
|---|---|
| 100mm | |
| Ship From: CyberPower (ShenZhen) No.2 Budside, Yangyong Riverside Development Area, Tangxiayong, Songgang Town, Baoan District ShenZhen City,518105 China | Ship To: Calix 1035 N. McDowell Blvd. Petaluma, CA 94954 877-666-3500 |
| TRANS ID: | |
| ITEM NO: 315-01002 | |
| QTY: 40 | |
| CLEI: | |
| SERIAL NUMBER: 100-04188 | |
| COUNTRY OF ORIGIN: Product of China | |
| PROD DESC: SFU ONT Power Cord. 7pin ONT to Un-terminated, 10ft | |
| PKG CT: OF | PKG WT: LBS aprox. |

白底黑字，合成紙，Arial 10號字體

LABEL

*.CARTON SIZE: L450*W350*H340mm, MATERIAL: K=K YELLOW IN COLOR